



# FAST CMOS OCTAL BUFFER/LINE DRIVER

**IDT74FCT540AT/CT**

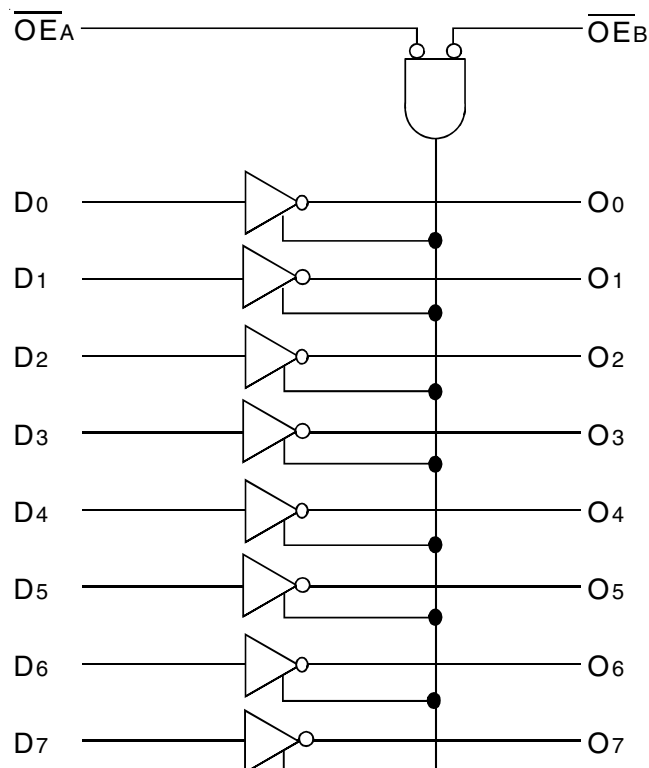
## FEATURES:

- A and C grades
- Low input and output leakage  $\leq 1\mu\text{A}$  (max.)
- CMOS power levels
- True TTL input and output compatibility:
  - $V_{OH} = 3.3V$  (typ.)
  - $V_{OL} = 0.3V$  (typ.)
- High Drive outputs (-15mA  $I_{OH}$ , 64mA  $I_{OL}$ )
- Meets or exceeds JEDEC standard 18 specifications
- Power off disable outputs permit "live insertion"
- Available in SOIC, SSOP, and QSOP packages

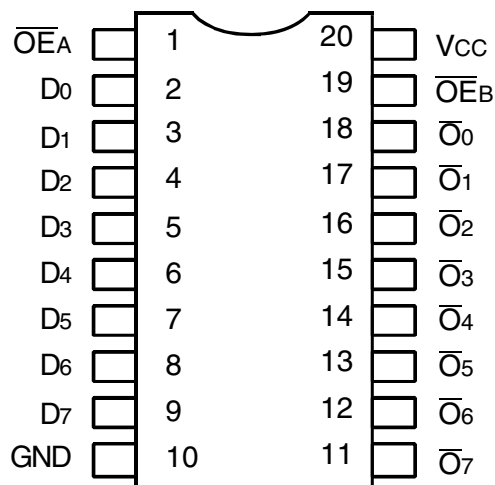
## DESCRIPTION:

The IDT octal buffer/line driver is built using an advanced dual metal CMOS technology. The FCT540T is similar in function to the FCT240T, except that the inputs and outputs are on opposite sides of the package. This pinout arrangement makes these devices especially useful as output ports for microprocessors and as backplane drivers, allowing ease of layout and greater board density.

## FUNCTIONAL BLOCK DIAGRAM



## PIN CONFIGURATION



SOIC/ SSOP/ QSOP  
TOP VIEW

## ABSOLUTE MAXIMUM RATINGS<sup>(1)</sup>

| Symbol                           | Description                          | Max                          | Unit |
|----------------------------------|--------------------------------------|------------------------------|------|
| V <sub>TERM</sub> <sup>(2)</sup> | Terminal Voltage with Respect to GND | -0.5 to +7                   | V    |
| V <sub>TERM</sub> <sup>(3)</sup> | Terminal Voltage with Respect to GND | -0.5 to V <sub>CC</sub> +0.5 | V    |
| T <sub>STG</sub>                 | Storage Temperature                  | -65 to +150                  | °C   |
| I <sub>OUT</sub>                 | DC Output Current                    | -60 to +120                  | mA   |

### NOTES:

- Stresses greater than those listed under ABSOLUTE MAXIMUM RATINGS may cause permanent damage to the device. This is a stress rating only and functional operation of the device at these or any other conditions above those indicated in the operational sections of this specification is not implied. Exposure to absolute maximum rating conditions for extended periods may affect reliability. No terminal voltage may exceed V<sub>CC</sub> by +0.5V unless otherwise noted.
- Inputs and V<sub>CC</sub> terminals only.
- Output and I/O terminals only.

## CAPACITANCE (T<sub>A</sub> = +25°C, F = 1.0MHz)

| Symbol           | Parameter <sup>(1)</sup> | Conditions            | Typ. | Max. | Unit |
|------------------|--------------------------|-----------------------|------|------|------|
| C <sub>IN</sub>  | Input Capacitance        | V <sub>IN</sub> = 0V  | 6    | 10   | pF   |
| C <sub>OUT</sub> | Output Capacitance       | V <sub>OUT</sub> = 0V | 8    | 12   | pF   |

### NOTE:

- This parameter is measured at characterization but not tested.

## PIN DESCRIPTION

| Pin Names                             | Description                               |
|---------------------------------------|---|
| $\overline{OE}_A$ , $\overline{OE}_B$ | 3-State Output Enable Inputs (Active LOW) |
| D <sub>x</sub>                        | Inputs                                    |
| $\overline{O}_x$                      | Outputs                                   |

## FUNCTION TABLE<sup>(1)</sup>

| Inputs            |                   |   | Outputs |
|-------------------|-------------------|---|---------|
| $\overline{OE}_A$ | $\overline{OE}_B$ | D |         |
| L                 | L                 | L | H       |
| L                 | L                 | H | L       |
| H                 | H                 | X | Z       |

### NOTE:

- H = HIGH Voltage Level  
X = Don't Care  
L = LOW Voltage Level  
Z = High Impedance

## DC ELECTRICAL CHARACTERISTICS OVER OPERATING RANGE

Following Conditions Apply Unless Otherwise Specified:

Industrial:  $T_A = -40^{\circ}\text{C}$  to  $+85^{\circ}\text{C}$ ,  $V_{CC} = 5.0\text{V} \pm 5\%$

| Symbol    | Parameter  | Test Conditions <sup>(1)</sup>                             |                     | Min. | Typ. <sup>(2)</sup> | Max.    | Unit          |
|-----------|--|--|---------------------|------|---------------------|---------|---------------|
| $V_{IH}$  | Input HIGH Level   | Guaranteed Logic HIGH Level                                |                     | 2    | —                   | —       | V             |
| $V_{IL}$  | Input LOW Level  | Guaranteed Logic LOW Level                                 |                     | —    | —                   | 0.8     | V             |
| $I_{IH}$  | Input HIGH Current <sup>(4)</sup>  | $V_{CC} = \text{Max.}$                                     | $V_I = 2.7\text{V}$ | —    | —                   | $\pm 1$ | $\mu\text{A}$ |
| $I_{IL}$  | Input LOW Current <sup>(4)</sup>   | $V_{CC} = \text{Max.}$                                     | $V_I = 0.5\text{V}$ | —    | —                   | $\pm 1$ | $\mu\text{A}$ |
| $I_{OZH}$ | High Impedance Output Current <sup>(4)</sup><br>(3-State Output pins) <sup>(4)</sup> | $V_{CC} = \text{Max.}$                                     | $V_I = 2.7\text{V}$ | —    | —                   | $\pm 1$ | $\mu\text{A}$ |
| $I_{OZL}$ |  |  | $V_I = 0.5\text{V}$ | —    | —                   | $\pm 1$ |               |
| $I_I$     | Input HIGH Current <sup>(4)</sup>  | $V_{CC} = \text{Max.}, V_I = V_{CC} (\text{Max.})$         |                     | —    | —                   | $\pm 1$ | $\mu\text{A}$ |
| $V_{IK}$  | Clamp Diode Voltage  | $V_{CC} = \text{Min.}, I_{IN} = -18\text{mA}$              |                     | —    | -0.7                | -1.2    | V             |
| $V_H$     | Input Hysteresis   | —  |                     | —    | 200                 | —       | mV            |
| $I_{CC}$  | Quiescent Power Supply Current   | $V_{CC} = \text{Max.}$<br>$V_{IN} = \text{GND or } V_{CC}$ |                     | —    | 0.01                | 1       | mA            |

## OUTPUT DRIVE CHARACTERISTICS

| Symbol   | Parameter             | Test Conditions <sup>(1)</sup>                                 |                         | Min. | Typ. <sup>(2)</sup> | Max. | Unit |
|----------|-----------------------|--|-------------------------|------|---------------------|------|------|
| $V_{OH}$ | Output HIGH Voltage   | $V_{CC} = \text{Min.}$<br>$V_{IN} = V_{IH} \text{ or } V_{IL}$ | $I_{OH} = -8\text{mA}$  | 2.4  | 3.3                 | —    | V    |
|          |                       |  | $I_{OH} = -15\text{mA}$ | 2    | 3                   | —    |      |
| $V_{OL}$ | Output LOW Voltage    | $V_{CC} = \text{Min.}$<br>$V_{IN} = V_{IH} \text{ or } V_{IL}$ | $I_{OL} = 64\text{mA}$  | —    | 0.3                 | 0.55 | V    |
| $I_{OS}$ | Short Circuit Current | $V_{CC} = \text{Max.}, V_O = \text{GND}^{(3)}$                 |                         | -60  | -120                | -225 | mA   |

### NOTES:

1. For conditions shown as Min. or Max., use appropriate value specified under Electrical Characteristics for the applicable device type.
2. Typical values are at  $V_{CC} = 5.0\text{V}$ ,  $+25^{\circ}\text{C}$  ambient.
3. Not more than one output should be tested at one time. Duration of the test should not exceed one second.
4. The test limit for this parameter is  $\pm 5\mu\text{A}$  at  $T_A = -55^{\circ}\text{C}$ .

## POWER SUPPLY CHARACTERISTICS

| Symbol          | Parameter   | Test Conditions <sup>(1)</sup>  |  | Min. | Typ. <sup>(2)</sup> | Max.              | Unit       |
|-----------------|---|---|--|------|---------------------|-------------------|------------|
| $\Delta I_{CC}$ | Quiescent Power Supply Current<br>TTL Inputs HIGH | $V_{CC} = \text{Max.}$<br>$V_{IN} = 3.4V^{(3)}$   |  | —    | 0.5                 | 2                 | mA         |
| $I_{CCD}$       | Dynamic Power Supply Current <sup>(4)</sup>       | $V_{CC} = \text{Max.}$<br>Outputs Open<br>$\overline{OE}_A = \overline{OE}_B = \text{GND}$<br>One Input Toggling<br>50% Duty Cycle                          | $V_{IN} = V_{CC}$<br>$V_{IN} = \text{GND}$ | —    | 0.15                | 0.25              | mA/<br>MHz |
| $I_C$           | Total Power Supply Current <sup>(6)</sup>         | $V_{CC} = \text{Max.}$<br>Outputs Open<br>$f_i = 10\text{MHz}$<br>50% Duty Cycle<br>$\overline{OE}_A = \overline{OE}_B = \text{GND}$<br>One Bit Toggling    | $V_{IN} = V_{CC}$<br>$V_{IN} = \text{GND}$ | —    | 1.5                 | 3.5               | mA         |
|                 |   |   | $V_{IN} = 3.4V$<br>$V_{IN} = \text{GND}$   | —    | 1.8                 | 4.5               |            |
|                 |   | $V_{CC} = \text{Max.}$<br>Outputs Open<br>$f_i = 2.5\text{MHz}$<br>50% Duty Cycle<br>$\overline{OE}_A = \overline{OE}_B = \text{GND}$<br>Four Bits Toggling | $V_{IN} = V_{CC}$<br>$V_{IN} = \text{GND}$ | —    | 3                   | 6 <sup>(5)</sup>  | mA         |
|                 |   |   | $V_{IN} = 3.4V$<br>$V_{IN} = \text{GND}$   | —    | 5                   | 14 <sup>(5)</sup> |            |

### NOTES:

- For conditions shown as Min. or Max., use appropriate value specified under Electrical Characteristics for the applicable device type.
  - Typical values are at  $V_{CC} = 5.0V$ , +25°C ambient.
  - Per TTL driven input ( $V_{IN} = 3.4V$ ). All other inputs at  $V_{CC}$  or GND.
  - This parameter is not directly testable, but is derived for use in Total Power Supply Calculations.
  - Values for these conditions are examples of  $\Delta I_{CC}$  formula. These limits are guaranteed but not tested.
  - $I_C = I_{QUIESCENT} + I_{INPUTS} + I_{DYNAMIC}$   
 $I_C = I_{CC} + \Delta I_{CC} D_{HNT} + I_{CCD} (f_i N_i)$   
 $I_{CC} = \text{Quiescent Current}$   
 $\Delta I_{CC} = \text{Power Supply Current for a TTL High Input } (V_{IN} = 3.4V)$   
 $D_H = \text{Duty Cycle for TTL Inputs High}$   
 $N_T = \text{Number of TTL Inputs at } D_H$   
 $I_{CCD} = \text{Dynamic Current caused by an Input Transition Pair (HLH or LHL)}$   
 $f_{CP} = \text{Clock Frequency for Register Devices (Zero for Non-Register Devices)}$   
 $f_i = \text{Output Frequency}$   
 $N_i = \text{Number of Outputs at } f_o$
- All currents are in milliamps and all frequencies are in megahertz.

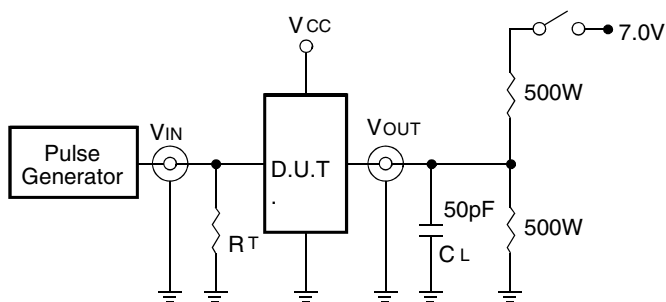
## SWITCHING CHARACTERISTICS OVER OPERATING RANGE

| Symbol    | Parameter                 | Condition <sup>(1)</sup>                 | FCT540AT            |      | FCT540CT            |      | Unit |
|-----------|---------------------------|--|---------------------|------|---------------------|------|------|
|           |                           |  | Min. <sup>(2)</sup> | Max. | Min. <sup>(2)</sup> | Max. |      |
| $t_{PLH}$ | Propagation Delay         | $C_L = 50\text{pF}$<br>$R_L = 500\Omega$ | 1.5                 | 4.8  | 1.5                 | 4.3  | ns   |
| $t_{PHL}$ | $D_x$ to $\overline{O}_x$ |  |                     |      |                     |      |      |
| $t_{PZH}$ | Output Enable Time        |  |                     |      |                     |      |      |
| $t_{PZL}$ | Output Disable Time       |  | 1.5                 | 6.2  | 1.5                 | 5.8  | ns   |
| $t_{PHZ}$ | Output Disable Time       |  | 1.5                 | 5.6  | 1.5                 | 5.2  | ns   |
| $t_{PLZ}$ | Output Disable Time       |  |                     |      |                     |      |      |

### NOTES:

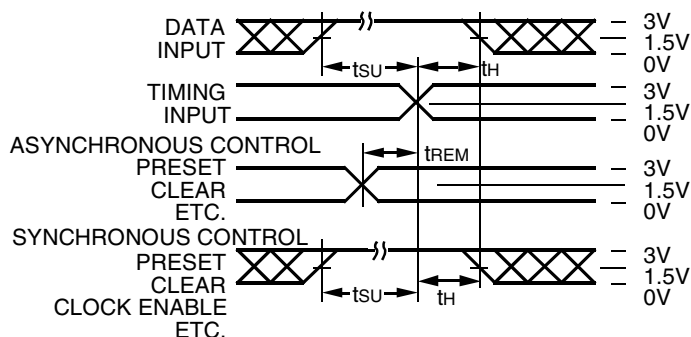
- See test circuit and waveforms.
- Minimum limits are guaranteed but not tested on Propagation Delays.

## TEST CIRCUITS AND WAVEFORMS



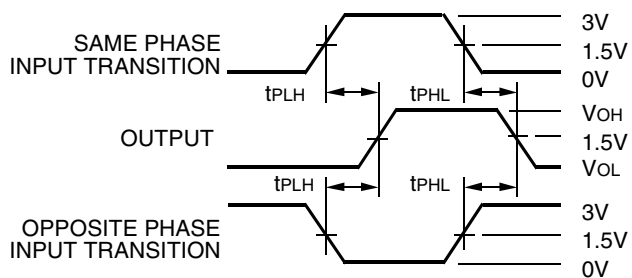
Octal Link

Test Circuits for All Outputs



Octal Link

Set-Up, Hold, and Release Times



Octal Link

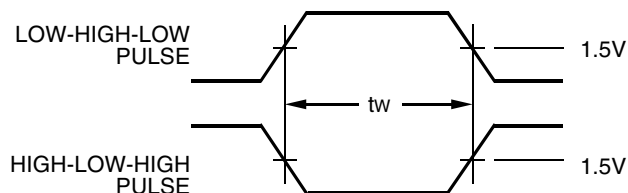
Propagation Delay

## SWITCH POSITION

| Test                                    | Switch |
|---|--------|
| Open Drain<br>Disable Low<br>Enable Low | Closed |
| All Other Tests                         | Open   |

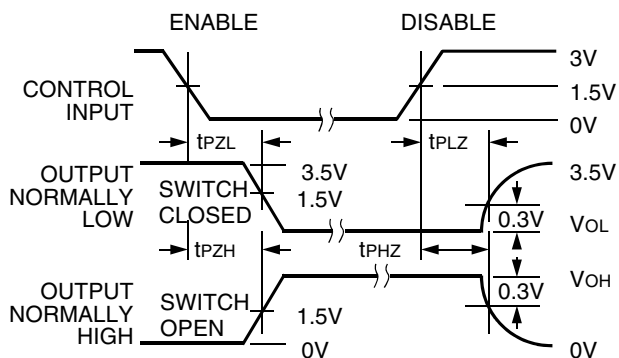
### DEFINITIONS:

CL = Load capacitance: includes jig and probe capacitance.  
RT = Termination resistance: should be equal to ZOUT of the Pulse Generator.



Pulse Width

Octal Link



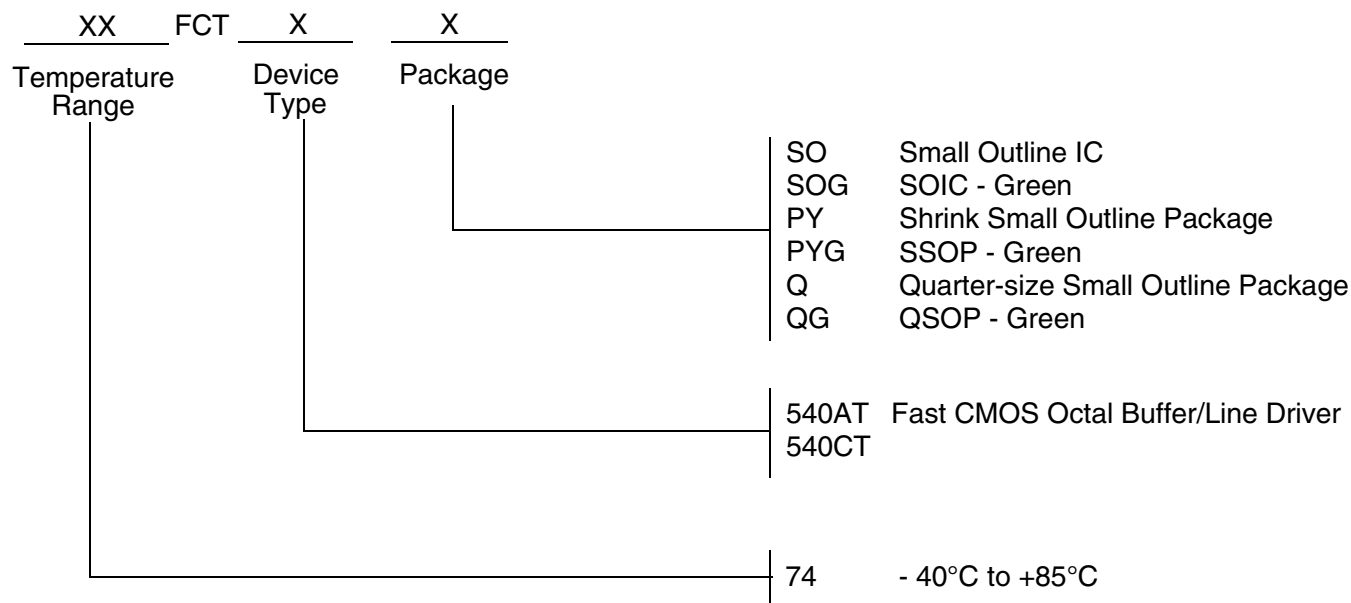
Octal Link

Enable and Disable Times

### NOTES:

- Diagram shown for input Control Enable-LOW and input Control Disable-HIGH.
- Pulse Generator for All Pulses: Rate  $\leq 1.0\text{MHz}$ ;  $t_r \leq 2.5\text{ns}$ ;  $t_f \leq 2.5\text{ns}$ .

ORDERING INFORMATION



**CORPORATE HEADQUARTERS**  
6024 Silver Creek Valley Road  
San Jose, CA 95138

**for SALES:**  
800-345-7015 or 408-284-8200  
fax: 408-284-2775  
www.idt.com

**for Tech Support:**  
logichelp@idt.com